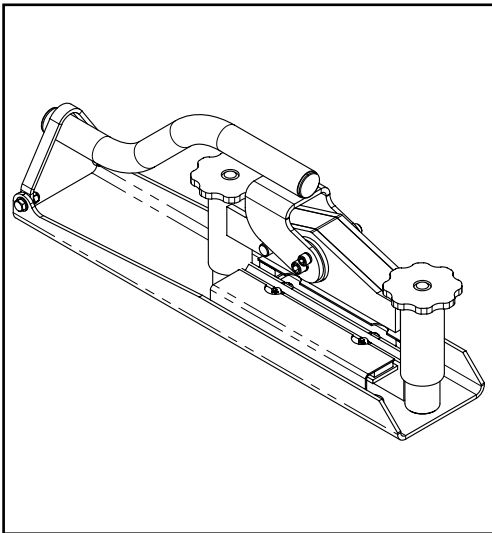




MINIPAVE



- Spare Parts Book
- Pièces détachées
- Libro Despiece
- Lista de Peças
- Onderdelen Boekje
- Reservedele Skrift
- Ersatzteilhandbuch
- Manuale dei ricambi
- Bruksanvisning
- Bruksanvisning
- Varaosaluettelo
- Lista Części Zamiennych
- Запасные части Книга
- Varuosade nimekiri
- Rezerves daļu saraksts
- Atsarginiu daliu sarašas
- Част Списък
- Část Brevný pruh
- Lista Pieselor de Schimb
- Részek Oldalra dől
- Rezervni djelovi Knjiga
- Zoznam náhradných dielov

76

(GB)	Operators Manual	6
(US)	Operators Manual	9
(F)	Manuel De L'Opérateur	12
(E)	Manual del Operador	15
(P)	Manual de Operação	18
(NL)	Handleiding	21
(DK)	Betjeningsvejledning	24
(D)	Bedienungshandbuch	27
(I)	Manuale Dell'Operatore	30
(S)	Bruksanvisning	33
(SF)	Käyttöohje	36
(NO)	Betjene Håndbok	39
(PL)	Instrukcja Obsługi	42
(RUS)	Руководство для оператора	45
(EST)	Kasutusjuhend	48
(LV)	Lietotāja rokasgrāmata	51
(LT)	Naudojimo instrukcija	54
(BG)	Оператор Ръчен	57
(CZ)	Na'vod K Obzluze	60
(RO)	Manualul Operatorului	63
(HUN)	Kezelési Utasítás	66
(HR)	Uputstvo za rukovatelja	69
(SK)	Príručka pre obsluhu	72

EC DECLARATION OF CONFORMITY / DECLARATION CE DE CONFORMITE / DECLARACIÓN DE CONFORMIDAD CE / DECLARAÇÃO CE DE CONFORMIDADE / EG-VERKLARING VAN OVEREENSTEMMING / EF OVERENSSTEMMELSESERKLÆRING

(GB) We, **Belle Group Sheen UK, Sheen, Nr. Buxton, Derbyshire, SK17 0EU, GB**, hereby certify that if the product described within this certificate is bought from an authorised Belle Group dealer within the EEC, it conforms to the following EEC directives: 98/37/EC (This directive is a consolidation of the original machinery directive 89/392/EEC), Electromagnetic Compatibility Directive 89/336/EEC (as amended by 92/31/EEC & 93/68 EEC). The low voltage directive 73/23/EEC, BS EN ISO 12100-1:2003 Safety of machinery and associated harmonised standards, where applicable. Noise emissions conform to directive 2000/14/EC Annex VI, for machines under article 12 the notified body is **AV Technology Limited, AVTECH house, Birdhall Lane, Cheadle Heath, Stockport, Cheshire, SK3 0XU, GB**.
Noise Technical Files are held at the Belle Group Head Office address which is stated above.

(F) Nous soussignons, **Belle Group Sheen UK, Sheen, Nr. Buxton, Derbyshire, SK17 0EU, GB**, certifions que si le produit décrit dans ce certificat est acheté chez un distributeur autorisé Belle Group au sein de la CEE, il est conforme aux normes CEE ci-après: 98/37/CE (Cette norme est une codification des normes de la machine d'origine 89/392/CEE), Norme compatible pour l'électromagnétisme 89/336/CEE (modifié par 92/31/CEE et 93/68/CEE). Caractéristiques basse tension 73/23/CEE, BS EN ISO 12100-1:2003, Norme de sécurité des machines et des critères associés et configurés, si applicable. Les émissions de bruit sont conformes à la directive 2000/14/EC Annexe VI pour machines, article 12, l'objet mentionné est **AV Technology Mimited, AVTECH House, Birhall Lane, Cheadle Heath, Stockport, Cheshire, SK3 0XU, GB**.
Les dossiers techniques sur les émissions sonores des machines sont détenus au siège social de BELLE GROUP à l'adresse ci-dessus.

(E) La Sociedad, **Belle Group Sheen UK, Sheen, Nr. Buxton, Derbyshire, SK 17 0EU, GB**, por el presente documento certifica que si el producto descrito en este certificado es comprado a un distribuidor autorizado de Belle Group en la CEE, este es conforme a las siguientes directivas: 98/37/CE de la CEE (Esta directiva consolida la directiva inicial sobre maquinaria 89/392/CEE), Directiva 89/336 CEE sobre Compatibilidad Electromagnética (según enmiendas 92/31/CEE y 93/68 CEE), Directiva sobre Bajo Voltaje 73/23/CEE, BS EN ISO 12100-1:2003 de Seguridad de Maquinaria y Niveles armonizados estándares asociados donde sean aplicables. Emisión de Ruidos conforme a la Directiva 2000/14/CE Anexo VI para máquinas bajo artículo 12 la mencionada unidad está **AV Technology Limited, AVTECH House, Birdhall Lane, Cheadle Heath, Stockport, Cheshire, SK3 0XU, GB**.
En La Sede Central de Belle Group existen Archivos Técnicos con contenido referente a Niveles de Ruido.

(P) O signatário, **Belle Group Sheen UK, Sheen, Nr. Buxton, Derbyshire, SK 0EU, GB**, pelo presente, declara que se o produto descrito neste certificado foi adquirido a um distribuidor autorizado do Belle Group em qualquer país da UE, está em conformidade com o estabelecido nas seguintes diretivas comunitárias: 98/37/EC (esta directiva é uma consolidação da directiva de maquinaria original 89/392/EEC), Directiva de Compatibilidade Electromagnética 89/336/EEC (conforme corrigido pelas 92/31/EEC & 93/68 EEC). A directiva de baixa voltagem 73/23/EEC, BS EN ISO 12100-1:2003 Segurança da maquinaria e às normas harmonizadas afins se aplicáveis. As emissões de ruído respeitam e estão dentro das diretivas para máquinas 2000/14/EC Anexo VI, artigo 12, sendo o organismo notificado **AV Technology Limited, AVTECH house, Birdhall Lane, Cheadle Heath, Stockport, Cheshire, SK3 0XU, GB**.
A informação técnica sobre níveis sonoros está disponível na Sede da Belle Group na morada acima mencionada.

(NL) Ondergetekende, **Belle Group Sheen UK, Sheen, Nr. Buxton, Derbyshire, SK17 0EU, GB**, verklaren hierbij dat als het product zoals beschreven in dit certificaat is gekocht van een erkende Belle Group dealer binnen de EEG, het voldoet aan de volgende EEG richtlijnen: 98/37/EC (Deze richtlijn is een opvolger van de originele Machinerichtlijn 89/392/EEG), Electromagnetische Compatability Richtlijn 89/336/EEG (geamendeerd door 92/31/EEG & 93/68 EEC). De Laagspannings Richtlijn 72/23/EEG, BS EN ISO 12100-1:2003 Veiligheid van Machines en hieraan gekoppelde geharmoniseerde Standaarden, waar deze van toepassing is. Rumoeur emissions passen voor richtlijn EC Zijgebouw VI, voor toestel onder stuk 12 naar de notified troep zit **AV Technology Limited, AVTECH house, Birdhall Lane, Cheadle Heath, Stockport, Cheshire, SK3 0XU, GB**
Worden de Technische Dossiers van het lawaai gehouden op het adres van het Hoofdkantoor van de Groep Belle dat hierboven ' wordt verklaard.

(DK) Vi, **Belle Group Sheen UK, Sheen, Nr. Buxton, Derbyshire, SK17 0EU, GB**, erklærer hermed, at hvis det i dette certifikat beskrevne produkt er købt hos en autoriseret Belle Group forhandler i EU, er det i overensstemmelse med følgende EØF-direktiver: 98/37/EF, 73/23/EØF (som ændret ved 93/68/EØF), 89/336/EØF (som ændret ved 92/31/EØF), 93/68/EØF og tilknyttede, harmoniserede standarder, hvor relevant. Støjniveauet er i overensstemmelse med direktiv 2000/14/EF, bilag VI gældende for maskiner under paragraf 12. Det bemyndigede organ er **AV Technology Limited, AVTECH house, Birdhall Lane, Cheadle Heath, Stockport, Cheshire, SK3 0XU, Storbritanien**.

PRODUCT TYPE	TYPE DE PRODUIT.....	TIPO DE PRODUCTO	TIPO DE PRODUCTO
MODEL.....	MODELE.....	MODELO	MODELO.....
SERIAL No.....	N° DE SERIE.....	N° DE SERIE.....	NO. DE SÉRIE
DATE OF MANUFACTURE.	DATE DE FABRICATION	FECHA DE FABRICACIÓN..	DATA DE FABRIC
SOUND POWER LEVEL MEASURED	NIVEAU DE PUISSANCE SONORE MESUREE.....	NIVEL DE POTENCIA ACÚSTICA MEDIDO	NIVEL DE POTÊNCIA DE SOM MEDIDO.....
(GUARANTEED).....	(GARANTIE).....	(GARANTIZADO).....	(GARANTIDO).....
WEIGHT.....	POIDS	PESO	PESO
PRODUCTTYPE	PRODUKTTYPE.....		
MODEL.....	MODEL		
SERIENUMMER.....	SERIENR.		
FABRICAGEDATUM.....	FREMSTILLINGSDATO		
GEMETEN GELUIDSSTERKTENIVEAU (GEGARANDEERD).....	LYDEFFEKTNIVEAU MÅLT		
GEWICHT.....	VÆGT.....		



Signed by:
Signature:
Medido por:
Assinado por:
Getekend door:
Uunderskrevet af:


Ray Neilson

Managing Director - On behalf of BELLE GROUP (SHEEN) UK.
Le Directeur Général - Pour le compte de la SOCIETE BELLE GROUP (SHEEN) UK.
Director Gerente - En nombre de BELLE GROUP (SHEEN) UK.
Director-Geral - Em nome de BELLE GROUP (SHEEN) UK.
Algemeen Directeur - Namens BELLE GROUP (SHEEN) UK.
Administrerende direktør - På vegne af BELLE GROUP (SHEEN) UK.



Introduction

EXCELLENT CHOICE! The “MINIPAVE” you have chosen will give many years of trouble free operation with only basic periodic maintenance required.

Safe operation depends on reliable equipment and the use of proper operating procedures. Performing the checks and services described in this manual will help keep your machine in good condition. These recommended operation procedures will help you to avoid unsafe practices. Safety notes have been included to help you avoid injury and prevent damage to the equipment. These notes are not intended to cover all eventualities; it is impossible to anticipate and evaluate all possible methods of operation. Therefore, you are the only person who can guarantee safe operation and maintenance. It is important that any procedure not specifically recommended in this manual be thoroughly evaluated from the standpoint of safety before it is implemented.



CAUTION

The product can be at risk. The machine or yourself can be damaged or injured if procedures are not carried out in the correct way.



WARNING

The life of the operator can be at risk.



WARNING



WARNING

*Before you operate or carry out any maintenance on this machine **YOU MUST READ** and **STUDY** this manual.*

KNOW how to safely use the unit’s controls and what you must do for safe maintenance. (NB Be sure that you know how to switch the machine off before you switch on, in case you get into difficulty.)

ALWAYS wear or use the proper safety items required for your personal protection. If you have **ANY QUESTIONS** about the safe use or maintenance of this unit, ASK YOUR SUPERVISOR OR CONTACT: **BELLE GROUP (UK): +44 (0) 1298 84606**



Contents

Safety Guidelines	6
Safety Checks	7
Technical Data.....	7
Warranty	8
Certificate of Conformity.....	2

Belle Group reserves the right to change machine specification without prior notice or obligation.



Safety Guidelines

Pre-start Inspection

- **INSPECT** your machine. Have any malfunctioning, broken or missing parts corrected or replaced before use.
- **VERIFY** that all the instruction and safety labels are in place and readable. These are as important as any other equipment on the machine.
- **CHECK** for **WARNING** tags placed on the machine. **DO NOT** operate the equipment until repairs have been made and the **WARNING** tags are removed by authorized personnel.

Operating

- **NEVER** use the equipment if you are unwell, or under the influence of alcohol or drugs.
- Place material between knives, resting the material level on Stone Rails. Bring the operating lever into the horizontal position and adjust blade gap so that the top knife is just touching the material. In this position, when the lever is pulled down, the material will be cut. This also gives adequate clearance when loading the machine with similar material.

Maintenance

- **ALWAYS** replace damaged or lost decals. Refer to the Parts Manual for the proper location and part number of all decals.

Safety Checks



Before starting each day, in addition to the 10 minute daily routine maintenance, check the following items to ensure trouble free performance



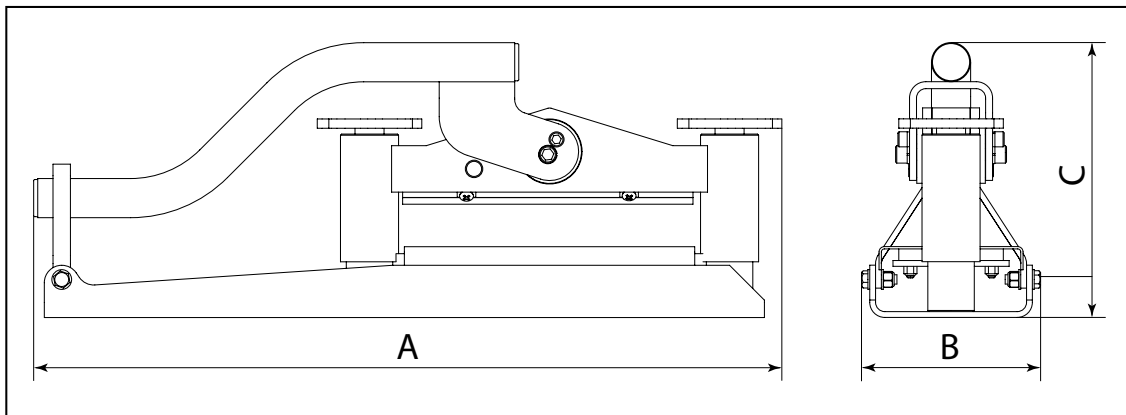
CAUTION

Improper maintenance can be hazardous. Read and understand SAFETY PRECAUTIONS AND GUIDELINES before you perform any maintenance, service or repairs.

1. Only operate with knives in good condition.
2. Inspect the entire unit for loose bolts/nuts, damaged or missing parts and repair or replace them as needed.
3. Ensure that the handle is fully upright after cutting and before loading next item.
4. Eye protection should be worn.
5. Never leave the machine with handle raised - leave in lower or locked position.
6. Be observant of people and obstructions within the work area.

ALWAYS use genuine replacement parts supplied by Belle Group.

Technical Data



Model	Minipave
A - Length (mm)	659
B - Width (mm)	140
C - Height (mm)	244
Maximum Cutting Length (mm)	250
Maximum Block Depth (mm)	87
Minimum Block Depth (mm)	47
Weight (Kg)	18
Cutting Force (Kg / kN)	3200 / 31.4



Warranty

Your new Belle Group Minipave is warranted to the original purchaser for a period of one-year (12 months) from the original date of purchase. The Belle Group warranty is against defects in design, materials and workmanship.

The following are not covered under the Belle Group warranty:

1. Damage caused by abuse, misuse, dropping or other similar damage caused by or as a result of failure to follow assembly, operation or user maintenance instructions.
2. Alterations, additions or repairs carried out by persons other than Belle Group or their recognised agents.
3. Transportation or shipment costs to and from Belle Group or their recognised agents, for repair or assessment against a warranty claim, on any machine.
4. Materials and/or labour costs to renew, repair or replace components due to fair wear and tear.

The following components are not covered by warranty.

- Drivebelt/s
- Engine air filter
- Engine spark plug

Belle Group and/or their recognised agents, directors, employees or insurers will not be held liable for consequential or other damages, losses or expenses in connection with or by reason of or the inability to use the machine for any purpose.

Warranty Claims

All warranty claims should firstly be directed to Belle Group, either by telephone, by Fax, by Email, or in writing.

For warranty claims:

Tel: +44 (0)1538 380000

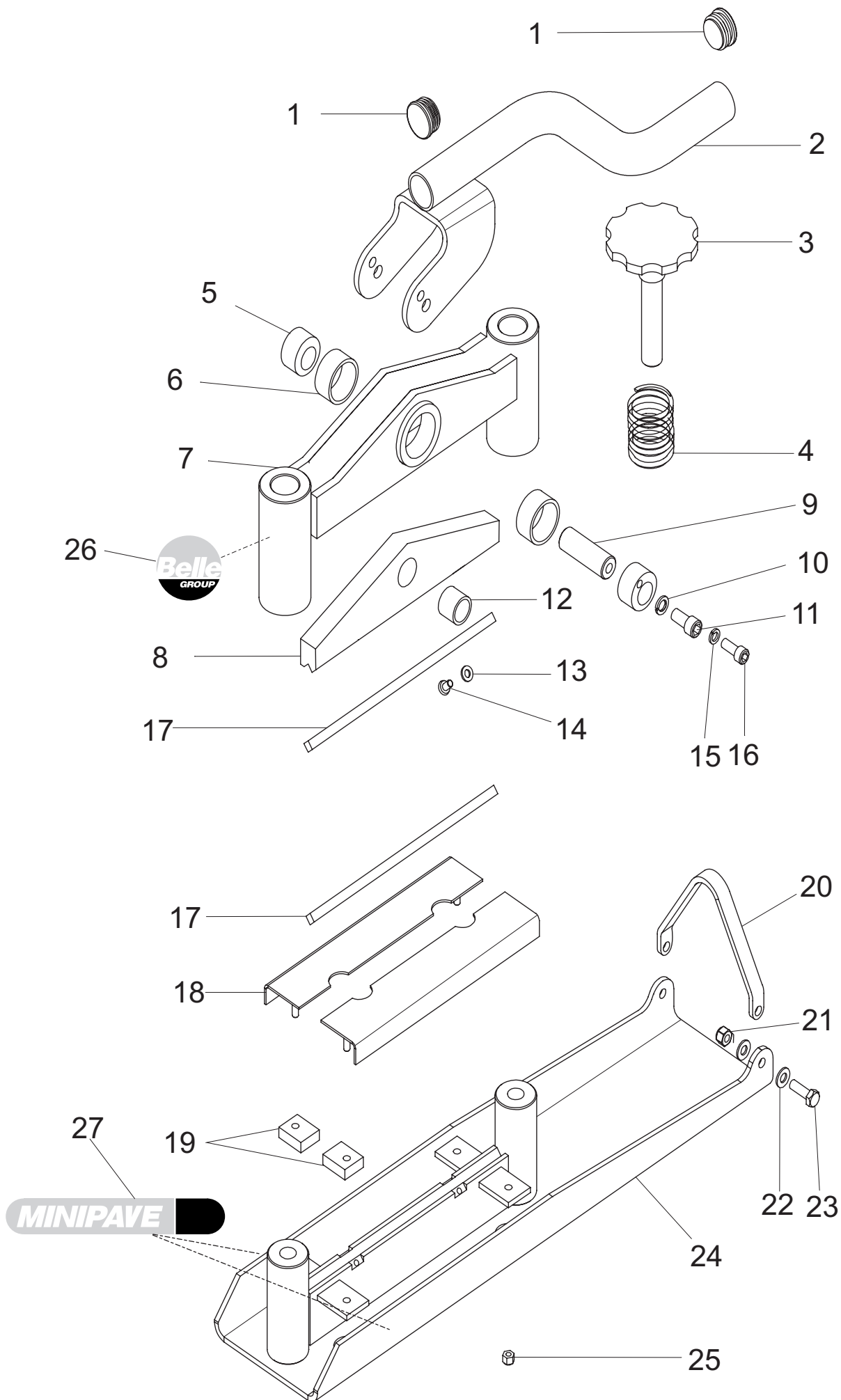
Fax: +44 (0)1538 380038

Email : Warranty@belle-group.co.uk

Write to:

Belle Group Warranty Department,
Unit 5, Bode Business Park,
Ball Haye Green,
Leek,
Staffordshire, ST13 6BW
England.

Minipave



Minipave

Item Number	Part Number	Description	Qty
1	21.0.317	Plastic Insert	2
2	155.0.034	Handle Assembly	1
3	155.0.017	Adjusting Screw Assembly	2
4	155.0.031	Spring	2
5	155.0.023	Cam Actuator	2
6	155.0.028	Bush - Cam Actuator Pivot	2
7	155.0.032	Frame Assembly	1
8	155.0.033	Top Beam Assembly	1
9	155.0.027	Pin - Cam Pivot	1
10	05.1.006	Spring Washer - M10	2
11	07.0.067	Screw - M10 x 20	2
12	155.0.030	Bush - Cam Pivot Pin	1
13	05.0.002	Washer - M6 form A	8
14	02.5.013	Screw - M6 x 12 "pozi-pan"	8
15	05.1.005	Spring Washer - M8	2
16	07.0.009	Screw - M8 x 20	2
17	155.0.025	Blade - Block splitter, 4 way	2
18	155.0.020	Stone Rail Assembly	2
19	155.0.029	Pad - Stone Rail Support, Rubber	4
20	155.0.026	Strap - Handle Retainer	1
21	01.0.104	Nut - M8 hex Nyloc	2
22	05.0.006	Washer - M8 form A	4
23	02.0.025	Setscrew - M8 x 25	2
24	155.0.001	Base Assembly	1
25	01.0.103	Nut - M6 Nyloc	4
26	800/00300	Decal - Belle Logo	1
27	155.0.000	Decal - Minipave	2



No.1 for Light Construction Equipment

www.BelleGroup.com

Belle Group Head Office

Sheen, nr. Buxton
Derbyshire. SK17 OEU GB.
Tel: +44 (0)1298 84000
Fax: +44 (0)1298 84722
email: sales@belle-group.co.uk

Belle Group France

70, av du Général de Gaulle
94022 Creteil, Cedex.
FRANCE
Tel: +33 (0) 1 49 81 68 32
Fax: +33 (0) 1 43 39 94 40
Ventes : 0800 902 461
SAV : 0800 905 336
SAV Fax : 0800 909 895

Belle Equipos SL

Calle Doctor Calero Cial 19,
Local 22, 28220 Majadahonda
Madrid, Spain
Tel: +34 (0) 91 636 2043
Fax: +34 (0) 91 634 1535
email: belleequipos@belleequipos.com

Belle Group Deutschland

Husumer Straße 45 a,
D-33729,
Bielefeld
Deutschland
Tel : +49(0) 5217 707505
Fax : +49 (0) 5217 707506
Sales: 0800 1808069
Spares: 0800 1816673

Belle Poland sp. z.o.o.

96-200 Rawa Mazowiecka
Ul. Mszczonowska 36,
Polska
Tel: +48 (0) 46 8144091
Fax: +48 (0) 46 8144700

Belle Group Portugal

Rua Laura Alves, 225, 2º F
2775-116 Parede
Portugal
Tel: +35 1 (21) 453 59 91
Fax: +35 1 (21) 453 59 91

Belle Group Netherlands

Tel: 0800 249861

Belle Group Belgium

Tel: 0800 80295

Belle Group Austria

Tel: 0800 291544

Belle Group Russia

64 Nevsky pr.
St, Petersburg
Russia
Tel : +7(812)314-81-34
Moscow : +7(495)589-64-32

Belle Group South East Asia

21, Jalan Ara AD 7/3B,
Pandar Sri Damansara
S2200 Kuala Lumpur, Malaysia
Tel: +60 (0) 3 62721678
+60 (0) 3 6272 9308
Fax: +60 (0) 3 6272 9528

Belle Group (GB), Shanghai Office

Room 213, Zhonghuang Building,
1007 Zhongshan Nan Er Road,
Xuhui, Shanghai 200030 China
Tel: 00 - 86 - 21 - 5461 5228
Mobile: 00 - 86 - 133 8172 2653
Fax: 00 - 86 - 21 - 5461 5369
email: morgan.liu@bellegroup.com.cn

Belle Group Inc

3959 Electric Rd
Roanoke
Suite 360
VA 24018. USA.
Tel: +1.540.345.5090
Fax: +1.540.345.5091
Toll free 866 540 5090
e-mail: sales@bellegroup.net



Belle Group World Parts Centre

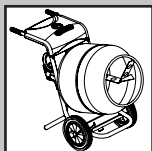
Unit 5, Bode Business Park
Ball Haye Green,
Leek,
Staffordshire,
ST13 8BW
Tel: 44+ 1538 380000
Fax: 44+ 1538 380038

www.BelleGroup.com

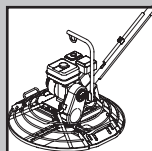
No.1 for Light Construction Equipment



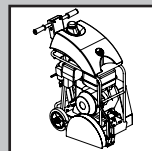
COMPACTING...



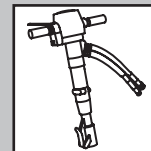
MIXING...



CONCRETING...



CUTTING...



BREAKING...



MOVING