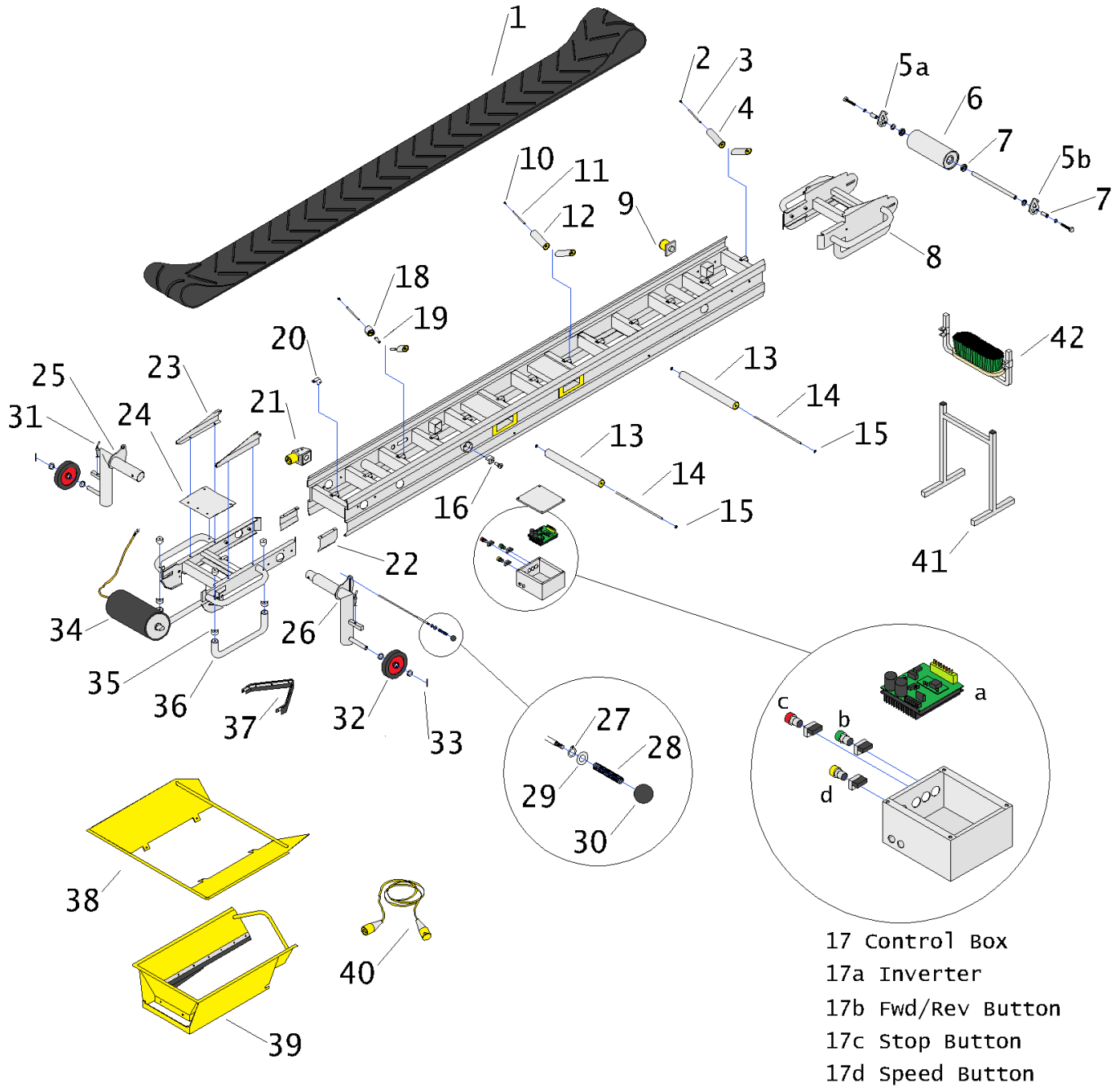


Shifta 450 Spare Parts List



Part No.	No. on diagram	Parts Description	Additional info	Price	Weight
SH50/450	1	Main Belt	3.2 metre	£517.32	27.1kg
SH40/450	1	Main Belt	4.4 metre	£618.28	42.0kg
SH51/450	1	Main Belt	5.4 metre	£701.39	51.65kg
SH31	2	Trough Roller Belts (x20)		£6.50	0.2kg
SH45	3/4	Steel Pitching Roller	inc. Axel	£16.13	0.35kg

SH62/450	6	Top Drum Complete (inc. bearings & axel)		£128.83	0.35kg
DB1	7	Drum Bearing		£5.56	0.5kg
SH62A450	7	Drum Axel		£16.28	0.9kg
SH39/450	8	Top Adjuster Bracket		£160.81	10.25kg
SH32	9	Interlink Socket (110v)		£20.36	0.1kg
SH30C	12	Standard Trough Roller		£7.28	0.4kg
SH64C	13	450mm Centre Trough Roller		£7.72	0.25kg
SH9/450C	13	Idler Roller	Inc. Axel	£13.25	0.5kg
NB221E	16	Emergency Stop Button		£13.36	0.1kg
SH15	17	Control Box Complete		£370.11	3.0kg
SH26/40C	20	Trough Centre Bracket		£8.96	0.1kg
SH25	21	110 Power Input Socket	Angled	£20.61	0.1kg
SH37	22	Underside Trough Bracket	Right Hand	£26.98	0.55kg
SH38	22	Underside Trough Bracket	Left Hand	£26.98	0.55kg
SH35	23	Bottom Trough Bracket	Left Hand	£26.98	0.65kg
SH36	23	Bottom Trough Bracket	Right Hand	£26.98	0.65kg
SH20/450	25	Bogey (frame only)		£165.66	2.9kg
SH20/450/C	27	Bogey Locking Pin Complete		£21.24	0.6kg
SH18	31	Brake Assembly		£23.16	0.15kg
SH19	32	Wheel		£13.43	2.05kg
SH16	33	Roll Pin		£0.94	0.013kg
SH23/450	34	1kw Drum Motor		£749.84	18.0kg
SH21/450	37	Bottom Belt Scraper		£19.14	0.7kg
SH15a	17a	Inverter		£286.64	1.3kg
SH15c	17b	Forward/Reverse Button inc. Rubber Boot		£14.02	0.1kg
SH15c/b	17b	Rubber Forward/Reverse Boot		£2.33	0.013kg
SH15d	17c	Stop Button inc. Rubber Boot		£14.02	0.1kg
SH15d/b	17c	Rubber Stop Button Boot		£2.33	0.013kg
SH15e	17d	Speed Button inc. Rubber Boot		£22.75	0.1kg
SH15c/b	17d	Speed Button Boot		£2.33	0.013kg
SHLKE1	n/a	Shifta Complete Label Kit		£22.17	0.2kg
SH57/450	n/a	Main Frame 3.2m		£441.47	21.9kg
SH41/450	n/a	Main Frame 4.4m		£607.01	33.8kg
SH56/450	n/a	Main Frame 5.4m		£744.97	43.6kg

Accessories					
GHPPR/450	38	Greedy Hopper		£119.00	18.2kg
HPPR/450	39	Hopper		£149.17	18.2kg
SH44	40	Shifta Linking Lead		£13.64	0.4kg
SHT1/450	41	Trestle (standard)		£19.41	4.6kg
SHT2/450	41	Trestle (adjustable height)		£39.93	7.0kg
BRS1/450	42	Brush Attachment Including Brush		£30.56	0.95kg
BS1/450	CC	Base Stand		£112.00	13.0kg
SH77		Shifta Sides	3.2m	£85.00	17.8kg
SH78		Shifta Sides	4.4m	£105.00	24.5kg
SH79		Shifta Sides	5.4m	£125.00	30.1kg